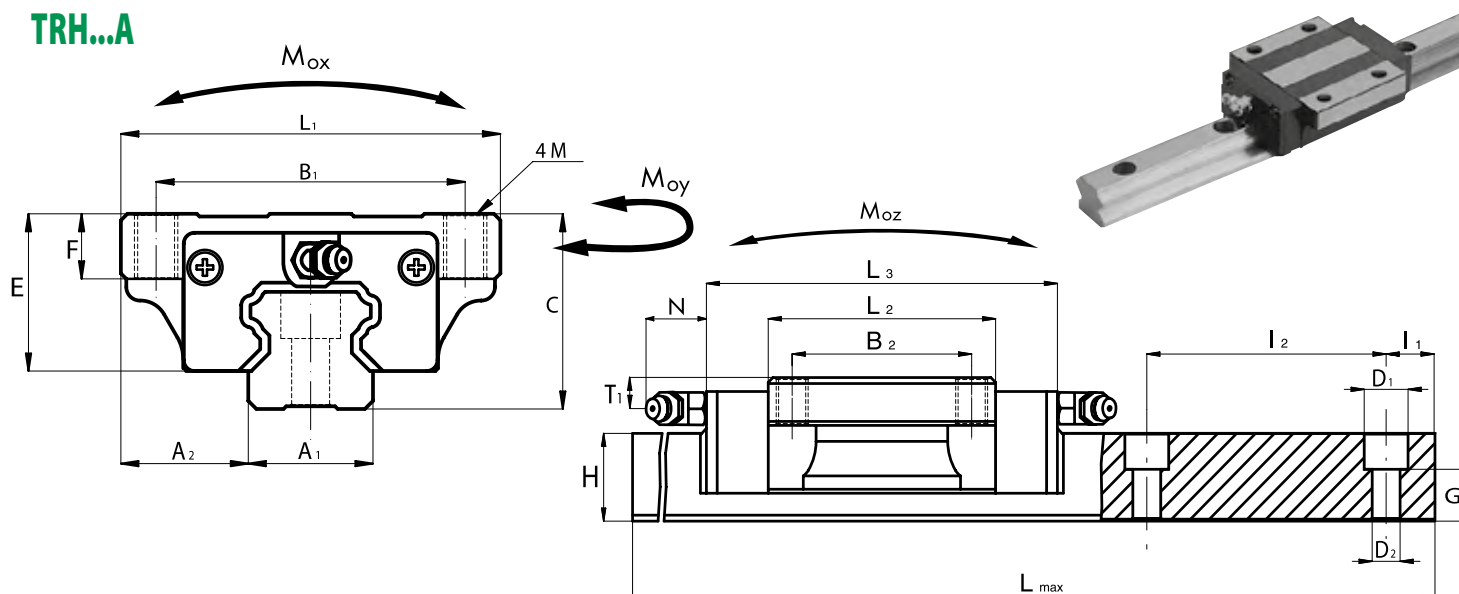


## TRH...A



## DIMENSIONI / DIMENSIONS

CARRELLO BLOCK	DIMENSIONI / DIMENSIONS															
	Guida Rail	Tappo fori guida Rail holes cap	A <sub>1</sub> [mm]	A <sub>2</sub> [mm]	B <sub>1</sub> [mm]	B <sub>2</sub> [mm]	M [mm]	C [mm]	E [mm]	F [mm]	H [mm]	<sup>(1)</sup> I <sub>1</sub> [mm]	I <sub>2</sub> [mm]	L <sub>1</sub> [mm]	L <sub>2</sub> [mm]	L <sub>3</sub> [mm]
TRH15A	BR15	C15	15	16	38	30	M5x8	24	19.4	8	14	20	60	47	40	66
TRH20A	BR20	C20	20	21.5	53	40	M6x9	30	25	9	18	20	60	63	48.8	77.8
TRH25A	BR25	C25	23	23.5	57	45	M8x12	36	29	12	22	20	60	70	57	88
TRH30A	BR30	C30	28	31	72	52	M10x12	42	33	12	26	20	80	90	72	109
TRH35A	BR35	C35	34	33	82	62	M10x13	48	38.5	13	29	20	80	100	80	119
TRH45A	BR45	C45	45	37.5	100	80	M12x15	60	46	15	38	22.5	105	120	105	148.2
TRH55A	BR55	C55	53	43.5	116	95	M14x20	70	55	20	38	30	120	140	121	170

## DIMENSIONI / DIMENSIONS

CARATTERISTICHE MECCANICHE  
MECHANICAL CHARACTERISTICSPESO  
WEIGHT

CARRELLO BLOCK	DIMENSIONI / DIMENSIONS									CARATTERISTICHE MECCANICHE MECHANICAL CHARACTERISTICS					PESO WEIGHT	
	Guida Rail	Tappo fori guida Rail holes cap	Foro lub. Oil hole [mm]	T <sub>1</sub> [mm]	N [mm]	D <sub>1</sub> [mm]	D <sub>2</sub> [mm]	G [mm]	L <sub>max</sub> [mm]	C <sub>0</sub> [kN]	C [kN]	M <sub>0x</sub> [Nxm]	M <sub>0y</sub> [Nxm]	M <sub>0z</sub> [Nxm]	Pattino Block [kg]	Rotaia Rail [kg/m]
TRH15A	BR15	C15	∅3	4.3	5.3	7.5	4.5	8.7	4000	16.5	8.5	100	80	80	0.21	1.4
TRH20A	BR20	C20	M6x1	5	16.6	9.5	6	9.5	4000	25.6	14.5	220	180	180	0.4	2.6
TRH25A	BR25	C25	M6x1	5	16.6	11	7	13	4000	40	21.4	360	320	310	0.57	3.6
TRH30A	BR30	C30	M6x1	7	16.6	14	9	14	4000	54.9	29.8	600	500	490	1.1	5.2
TRH35A	BR35	C35	M6x1	8	16.6	14	9	17	4000	70.1	39.6	960	750	730	1.6	7.2
TRH45A	BR45	C45	M8x1	10	16.6	20	14	21	4000	121	67.4	2160	1700	1680	2.7	12.3
TRH55A	BR55	C55	M8x1	11	16.6	23	16	24	4000	171	99.4	3670	2930	2880	5.0	16.9

(1) Misura consigliata. Altre misure a richiesta. In mancanza di specifica indicazione la misura I1 sarà uguale per entrambe le estremità.

(1) Suggested dimension. Other dimensions on request. With no specific request, the I1 values on both ends will be the same.